

# FEKA 600

## SEWAGE PUMPS



### DRAINAGE WASTE WATER FOR DOMESTIC USE

Pump body, impeller, cap and suction grid in technopolymer. Motor, rotor shaft and screws in stainless steel.

Triple O-ring seal interposed with an oil precombustion chamber. Continuous duty submersible asynchronous motor. Stator fitted in an airtight stainless steel casing.

Rotor mounted on oversized, greased-for-life ball bearings. Built-in thermal and current overload protection and a capacitor permanently on in the single-phase version. For the protection of the three-phase motor it is advisable to use a suitable overload protection complying with the regulations in force. Supplied with standard power cables for the single-phase version:

5 metres HO5RN-F cable for: FEKA 600 M-A.  
10 metres HO7RN-F cable for: FEKA 600 M-NA.  
Standard cables supplied for the three-phase version: 5 metres of HO7RN-F cable. For the single phase the standard is a SCHUKO plug EEC VII.

**For special version available with special stainless steel motor shaft.**

**Operating range:** from 1 to 16 m<sup>3</sup>/h with head up to 10.2 metres.

**Liquid temperature range:** from 0°C to +35°C for domestic use.

**Pumped liquid characteristics:**

FEKA sewage water from septic tanks.

**Granulometric passage through the suction grid:**

FEKA 600 25 mm.

**Min. suction depth:**

FEKA 600 A 175 mm.

FEKA 600 NA 38 mm.

**Maximum immersion depth:** 7 metres.

**Maximum dry running time:** 1 minute.

**Protection level:** IP 68.

**Insulation class:** F.

## TECHNICAL DATA

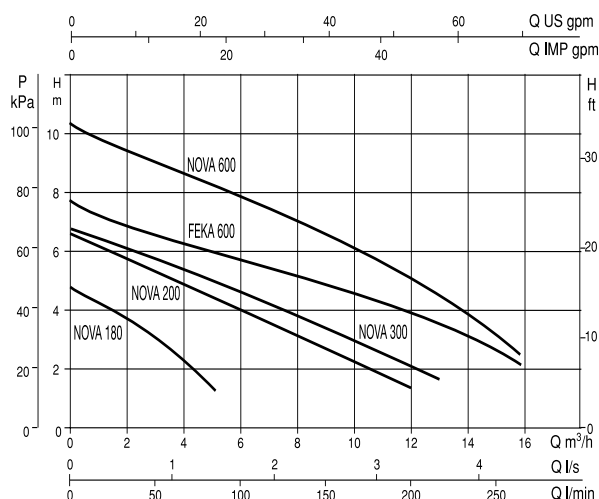
MODEL	CODE	ELECTRICAL DATA						
		VOLTAGE 50 HZ	P1 MAX kW	P2 NOMINAL		In A	CAPACITOR	
				kW	HP		µF	Vc
FEKA 600 M-A	103022214	1X220-240 V~	0,94	0,55	0,75	4,3	14	450
FEKA 600 M-NA	103022384	1X220-240 V~	1	0,55	0,75	4,3	-	-
FEKA 600 T-NA	103000054	3X400 V~	1	0,55	0,75	1,7	-	-

M - T = Available in single-phase (M) and three-phase (T) version

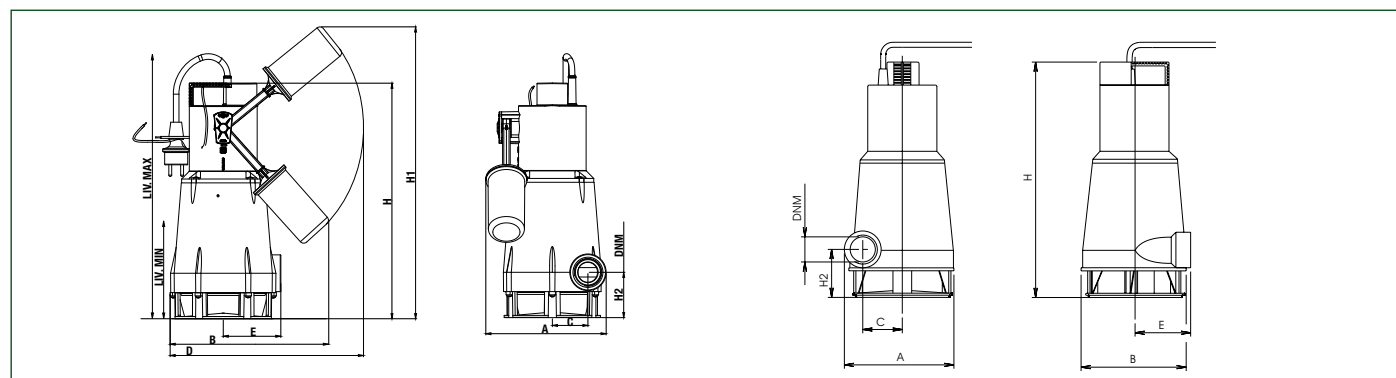
## SPECIAL VERSION with a special stainless steel motor shaft

MODEL	CODE	ELECTRICAL DATA						
		VOLTAGE 50 HZ	P1 MAX kW	P2 NOMINAL		In A	CAPACITOR	
				kW	HP		µF	Vc
FEKA 600 M-A - SV	103002774	1X220-240 V~	0,94	0,55	0,75	4,3	14	450
FEKA 600 M-NA - SV	103002784	1X220-240 V~	1	0,55	0,75	4,3	-	-
FEKA 600 T-NA - SV	103005824	3X400 V~	1	0,55	0,75	1,7	-	-

M - T = Available in single-phase (M) and three-phase (T) version



## DIMENSIONS AND WEIGHTS



MODEL	A	B	C	D	E	H	H1	H2	LIV. MIN.	LIV. MAX.	DNM GAS	PACKAGING DIMENSIONS			CABLE	Q.TY X PALLET	WEIGHT KG
												L/A	L/B	H			
FEKA 600 M-A	193	235	56	296	90	368	443	73	190	190	1 1/4"	287	202	431	5 mt. H05	32	7
FEKA 600 (M-T)-NA	162	160	56	-	90	368	-	73	-	-	1 1/4"	287	202	431	10 mt. H05	32	6,7
FEKA 600 M-A SV *	193	235	56	296	90	368	443	73	190	190	1 1/4"	287	202	431	5 mt. H05	32	7
FEKA 600 (M-T)-NA SV *	162	160	56	-	90	368	-	73	-	-	1 1/4"	287	202	431	10 mt. H05	32	6,7

\* With special stainless steel motor shaft.

