



K 30/70 M



K 35/1200 T



DOMESTIC, CIVIL AND INDUSTRIAL WATER SUPPLY

Twin impeller centrifugal pump designed for use in pressurisation units for water supply systems for domestic, civil and industrial use. Suitable for sprinkling irrigation and other water supply applications. Cast iron pump body and motor support. Technopolymer impeller. Stainless steel driving shaft. Carbon/ceramic mechanical seal. Asynchronous, closed motor, cooled by external ventilation. Built-in thermal and current overload protection and a capacitor permanently on in the single-phase version. For the protection of the three-phase motor it is advisable to use a suitable overload protection complying with the regulations in force.

Operating range: from 1.2 to 30 m³/h with head up to 97 metres.

Pumped liquid characteristics: clean, free from solids or abrasive substances, not viscous, not aggressive, not crystallised, chemically neutral and close to the

characteristics of water.

Liquid temperature range:

from -10°C to +50°C: for K 35/40, K 45/50, K 35/100, K 40/100, K 55/100

from -15°C to +110°C: for K 55/50, K 66/100, K 90/100, K 70/300, K 80/300, K 70/400, K 80/400.

Maximum operating range:

K 35/40, K 35/100, K 40/100: 6 bar (600 kPa)

K 45/50, K 55/50: 8 bar (800 kPa)

K 55/100, K 66/100: 10 bar (1000 kPa)

K 90/100, K 70/300, K 80/300, K 70/400, K 80/400: 12 bar (1200 kPa).

Maximum ambient temperature: +40°C.

Protection level: IP 44.

Terminal board protection level: IP 55.

Insulation class: F.

TECHNICAL DATA

MODEL	CODE	ELECTRICAL DATA						
		VOLTAGE 50 Hz	P1 MAX kW	P2 NOMINAL		In A	CAPACITOR	
				kW	HP		µF	Vc
K 20/41 M	102110004	1 x 230 V ~	0,65	0,37	0,5	3	10	450
K 20/41 T	102110014	3 x 230 - 400 V ~	0,64	0,37	0,5	2,3/1,3	-	-
K 30/70 M	102110024	1 x 230 V ~	1,3	0,75	1	6	20	450
K 30/70 T*	60145269	3 x 230 - 400 V ~	1,2	0,75	1	4,3/2,5	-	-
K 30/70 M-P**	102112024	1 x 230 V ~	1,3	0,75	1	6	20	450
K 30/100 M	102110042	1 x 230 V ~	1,6	1,1	1,5	7,1	31,5	450
K 30/100 T*	60145771	3 x 230 - 400 V ~	1,63	1,1	1,5	5,5/3	-	-
K 36/100 M	102110162	1 x 230 V ~	2,1	1,85	2,5	8,8	40	450
K 36/100 T*	60145837	3 x 230 - 400 V ~	2	1,85	2,5	6,9/4	-	-
K 12/200 M	103110004	1 x 230 V ~	1,05	0,75	1	4,6	20	450
K 12/200 T*	60145307	3 x 230 - 400 V ~	1,02	0,75	1	3,6/2,1	-	-
K 36/200 T*	60146040	3 x 230 - 400 V ~	3	2,2	3	9/5,2	-	-
K 40/200 T*	60146050	3 x 230 - 400 V ~	3,5	3	4	11,1-6,4	-	-
K 55/200 T*	60146064	3 x 230 - 400 V ~	4,9	4	5,5	16,3-9,4	40	-
K 14/400 M	102130402	1 x 230 V ~	2,1	1,85	2,5	9,5	-	450
K 14/400 T*	60145845	3 x 230 - 400 V ~	2,1	1,85	2,5	7,4	-	-
K 11/500 T*	60146044	3 x 230 - 400 V ~	2,6	2,2	3	9,1-5,8	-	-
K 18/500 T*	60146057	3 x 230 - 400 V ~	3,4	3	4	10,2-5,9	-	-
K 28/500 T*	60146073	3 x 230 - 400 V ~	4,5	4	5,5	14,7-8,5	-	-
K 40/400 T*	60146093	3 x 400 V ~ ¹	7	5,5	7,5	11,5	-	-
K 50/400 T*	60146100	3 x 400 V ~ ¹	9,4	7,5	10	15	-	-
K 30/800 T*	60146101	3 x 400 V ~ ¹	8,3	7,5	10	14	-	-
K 40/800 T*	60146110	3 x 400 V ~ ¹	11	9,2	12,5	18	-	-
K 50/800 T*	60146116	3 x 400 V ~ ¹	12,75	11	15	20,5	-	-
K 20/1200 T*	60146102	3 x 400 V ~ ¹	8,9	7,5	10	15,4	-	-
K 25/1200 T*	60146111	3 x 400 V ~ ¹	10	9,2	12,5	18	-	-
K 35/1200 T*	60146117	3 x 400 V ~ ¹	11,4	11	15	19,3	-	-

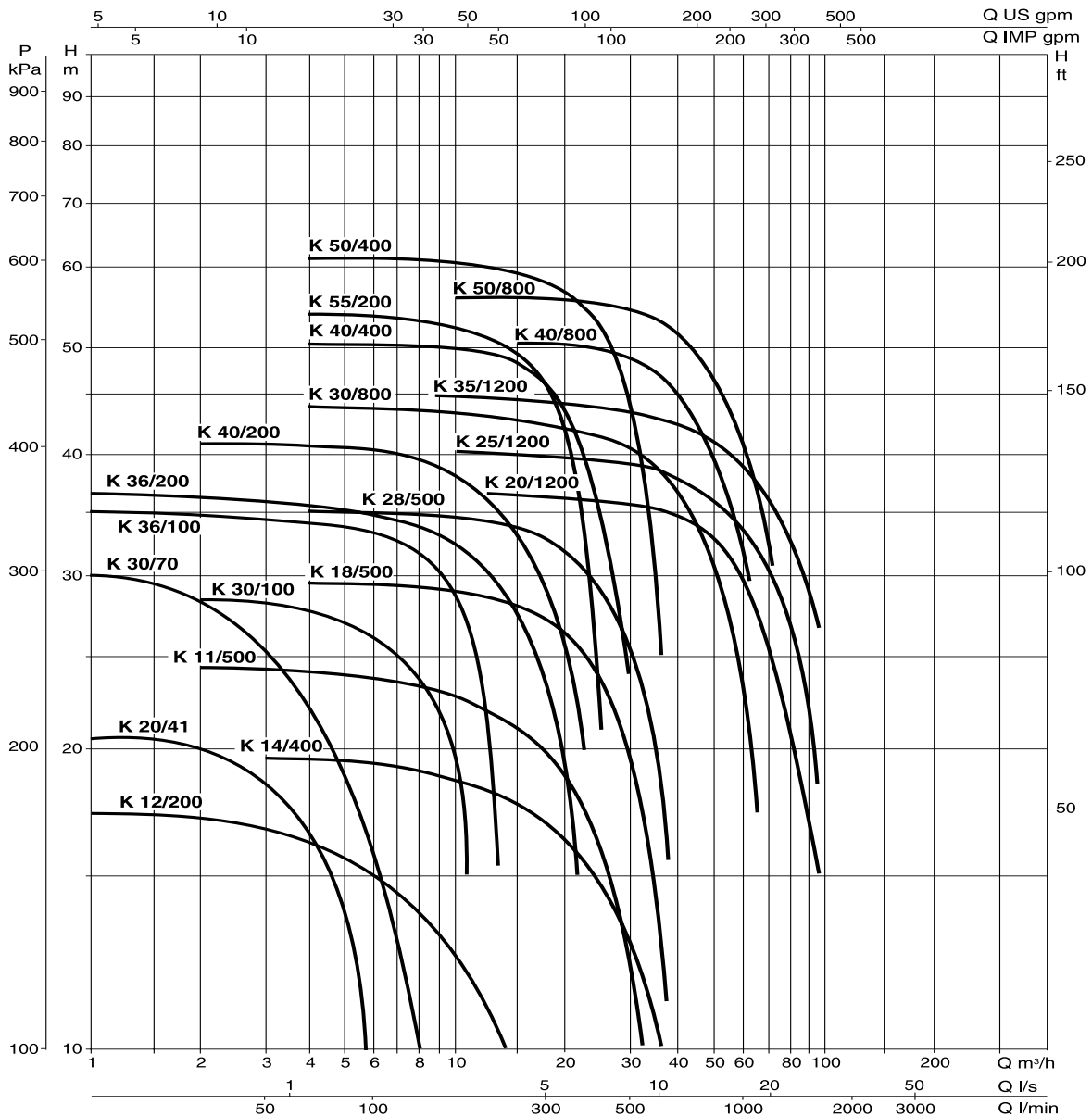
* NEW IE2 MOTOR

** Pump equipped with pressure gauge, pressure switch, power cable with plug and five -way fitting to use for connecting to a tank.

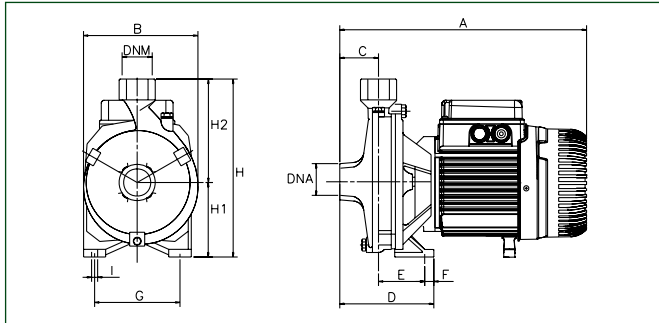
¹ Star delta starting

PERFORMANCE COMPARISON series K / NKP-G

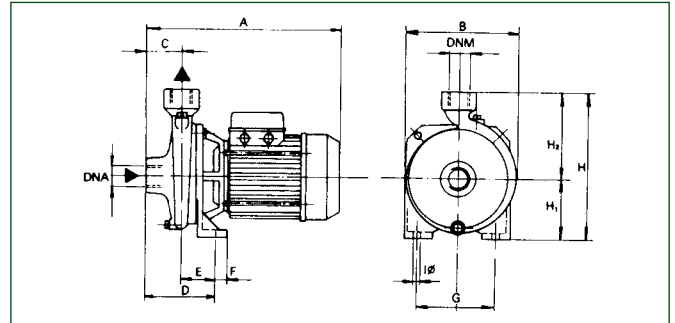
MODEL	CODE	P2 kW	Q m³/h	H m		MODEL	CODE	P2 kW	Q m³/h	H m
K 40/400 T	60146093	5,5	12-30	49-25	—————	NKP-G 32-200/190/ 5.5 /2	1D1311B9B	5,5	3,6-36	46,5-29
K 50/400 T	60146100	7,5	13-34	61-36	—————	NKP-G 32-200/210/ 7.5 /2	1D1311BAB	7,5	3,6-36	58,5-44,5
K 30/800 T	60146101	7,5	18-63	43-18	—————	NKP-G 40-160/172/ 7,5 /2	1D2211BAB	7,5	6,7-67	42-26
K 40/800 T	60146110	9,2	24-66	50-27	—————	NKP-G 40-200/210/11/2	1D2311BBB	11	6,7-67	58-38,8
K 50/800 T	60146116	11	24-78	56,7-25	—————	NKP-G 40-200/210/11 /2	1D2311BBB	11	6,7-67	58-38,8
K 20/1200 T	60146102	7,5	30-92	36-17	—————	NKP-G 50-160/153/ 7.5 /2	1D3211BAB	7,5	9,0-90	32-23,5
K 25/1200 T	60146111	9,2	32-94	39-19	—————	NKP-G 50-160/169/11/2	1D3211BBB	11	10,0-100	39,5-30,5
K 35/1200 T	60146117	11	34-96	43-27	—————	NKP-G 50-200/200/15 /2	1D3311BCB	15	9,2-92	56-40



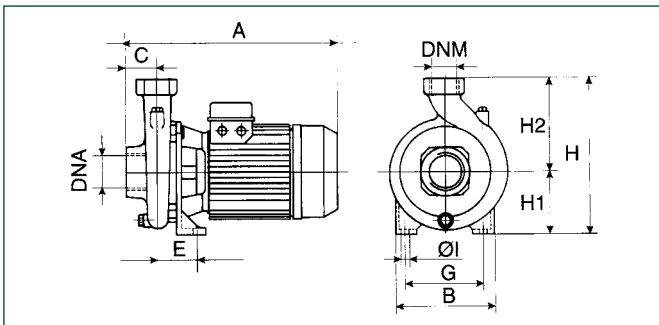
K 20/41 - 30/70 - 12/200



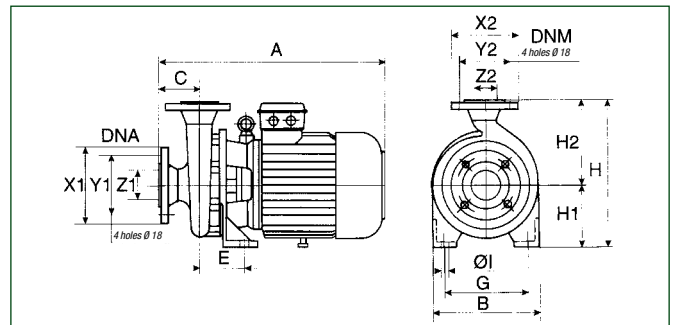
K 30/100 - 36/100



**K 36/200 - 40/200 - 55/200
14/400 - 11/500 - 18/500 - 28/500**



**K 40/400 - 50/400 - 30/800 - 40/800
50/800 - 20/1200 - 25/1200 - 35/1200**



CENTRIFUGAL PUMPS

MODEL	A	B	C	D	E	G	ØI	H	H1	DNA	DNM	WEIGHT KG	Q.TY x PALLET
K 20/41	275	160	50	100	50	110	9	205	85	1" G	1" G	10	39
K 30/70	300	185	50	108	58	140	9	235	100	1" G	1" G	13,9	30
K 30/100	333	200	50	114	64	140	9	255	105	1 1/2" G	1" G	18,5	21
K 36/100	333	200	50	114	64	140	9	255	105	1 1/2" G	1" G	23,3	18
K 12/200	312	169	45	114	69	110	9	218	85	1 1/2" G	1 1/2" G	13,7	30
K 36/200	425	250	55	-	86	175	14	320	135	2" G	1 1/4" G	33,1	18
K 40/200	425	250	55	-	86	175	14	320	135	2" G	1 1/4" G	34,9	18
K 55/200	425	250	55	-	86	175	14	320	135	2" G	1 1/4" G	39	18
K 14/400 M	430	200	62	-	74	120	11	270	105	2" G	2" G	24,5	18
K 14/400 T	358	200	62	-	74	120	11	270	105	2" G	2" G	22	21
K 11/500	440	240	62	-	100	155	14	312	132	2 1/2" G	2" G	34,2	18
K 18/500	440	240	62	-	100	155	14	312	132	2 1/2" G	2" G	36,6	18
K 28/500	440	240	62	-	100	155	14	312	132	2 1/2" G	2" G	40,6	18
K 40/400	560	273	100	-	110	212	14	360	160	65	50	79	6
K 50/400	560	273	100	-	110	212	14	360	160	65	50	87	6
K 30/800	600	273	100	-	110	212	14	385	160	80	65	91	6
K 40/800	600	273	100	-	110	212	14	385	160	80	65	95	6
K 50/800	600	273	100	-	110	212	14	385	160	80	65	105	6
K 20/1200	600	273	100	-	110	212	14	385	160	80	65	88	6
K 25/1200	600	273	100	-	110	212	14	385	160	80	65	94	6
K 35/1200	600	273	100	-	110	212	14	385	160	80	65	100	6